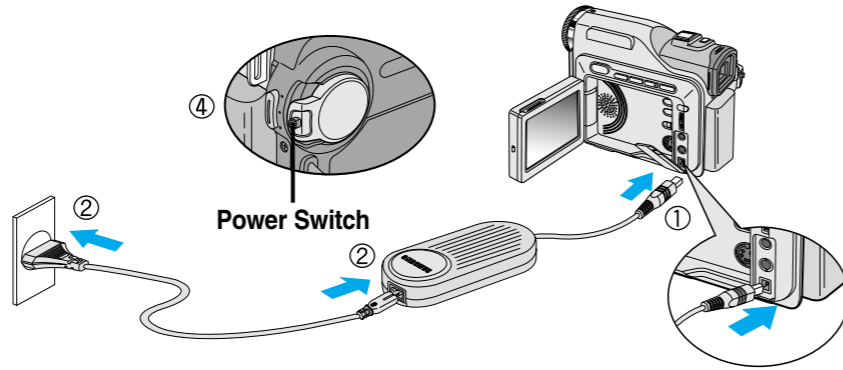


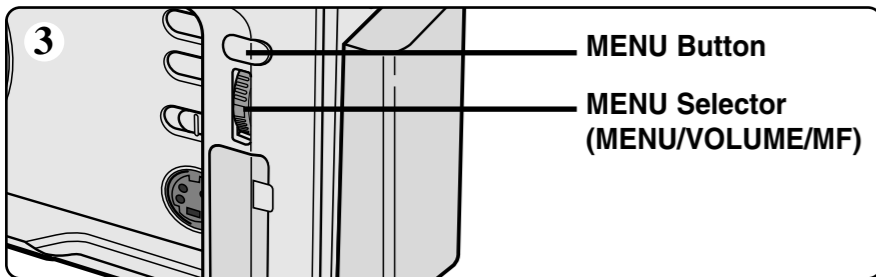
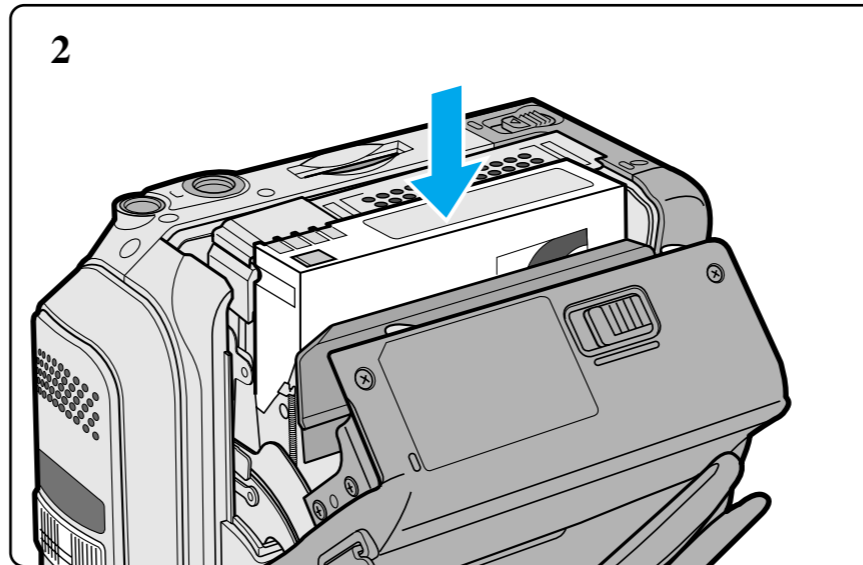
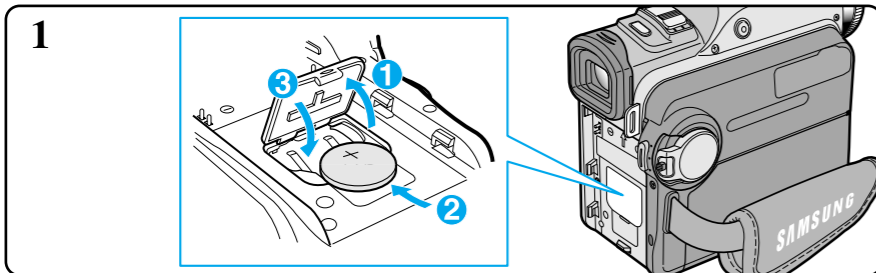
Connecting a Power Source



1. Attach the battery pack to the camcorder.
2. Connect the AC Power adapter to an AC cord and connect the AC cord to a wall socket.
3. Connect the DC cable to the DC jack socket on the camcorder.
4. Turn the Camera power switch to off, and the charging indicator will start to flash, showing that the battery is charging.

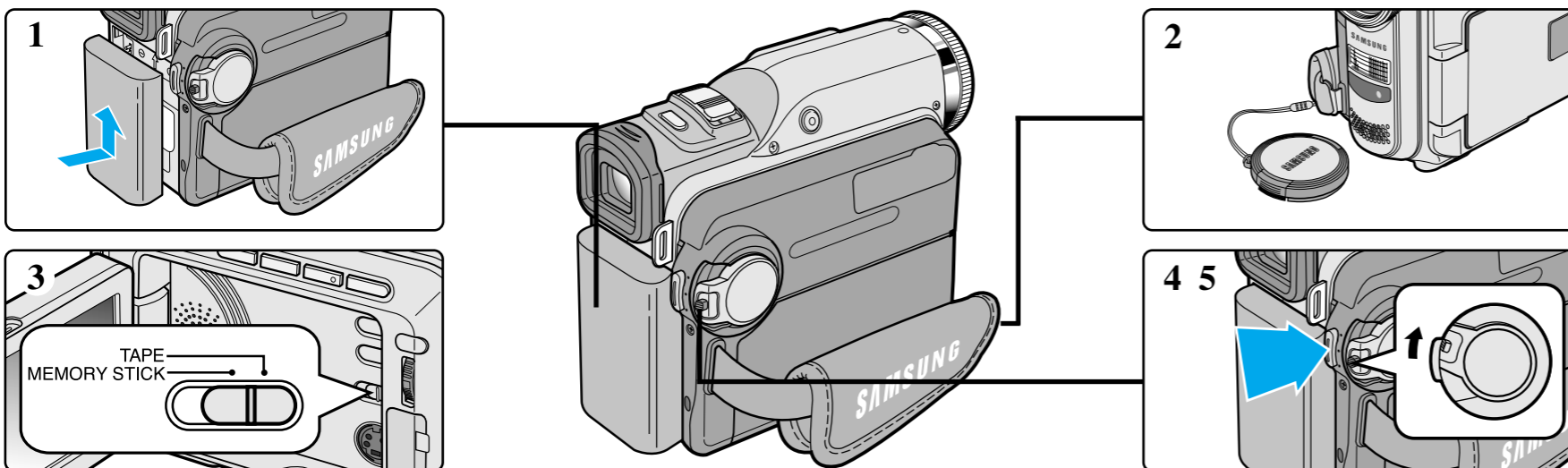
Battery charge time
SB - LS110 : Approx 1hr 40min
SB - LS220 : Approx 3hr 30min

Preparation



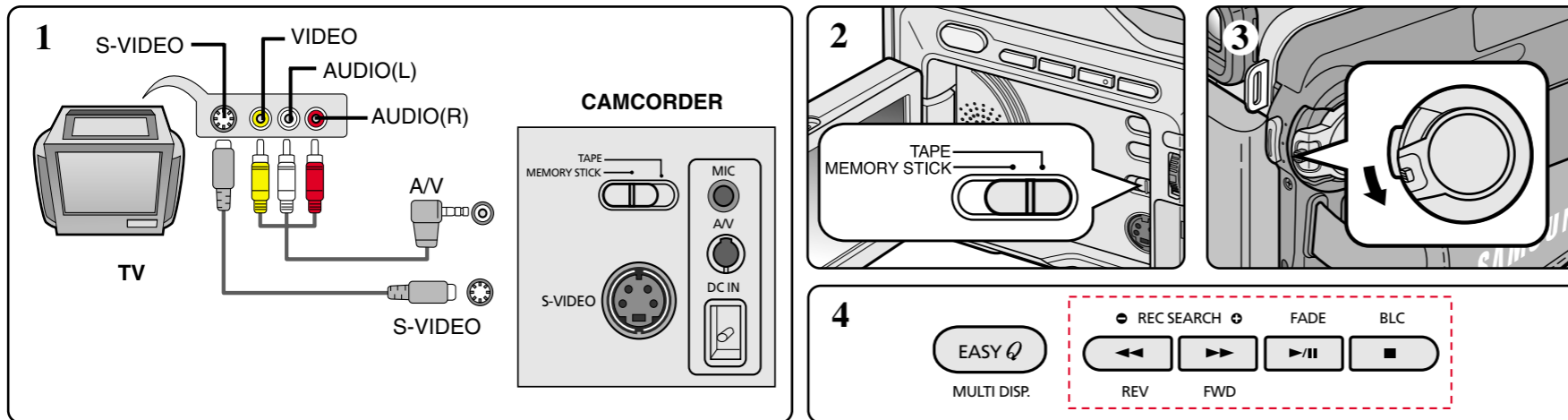
1. Insert the Lithium battery with the positive (⊕) terminal facing outward.
2. Insert a Cassette.
3. Select the appropriate OSD Language among English, French, Spanish, Portuguese, German and Italian.
 - ① Press the MENU button.
 - ② Move the MENU SELECTOR to highlight INITIAL and push the MENU SELECTOR.
 - ③ Using the MENU SELECTOR, select the LANGUAGE.
 - ④ Push the MENU SELECTOR to confirm the OSD Language.
 - ⑤ To exit, press the MENU button.
- **CLOCK SET**
 - ① Press the MENU button.
 - ② Move the MENU SELECTOR to highlight INITIAL and push the MENU SELECTOR.
 - ③ Use the MENU SELECTOR to select CLOCK SET from the submenu.
 - ④ Push the MENU SELECTOR to enter SETTING mode. A blinking item indicates the item to be changed.
 - ⑤ Using the MENU SELECTOR, change the year, month, day, and hour setting.
 - ⑥ The word COMPLETE! will appear, and a few seconds later, the menu screen will automatically return to the sub menu.

Basic Recording



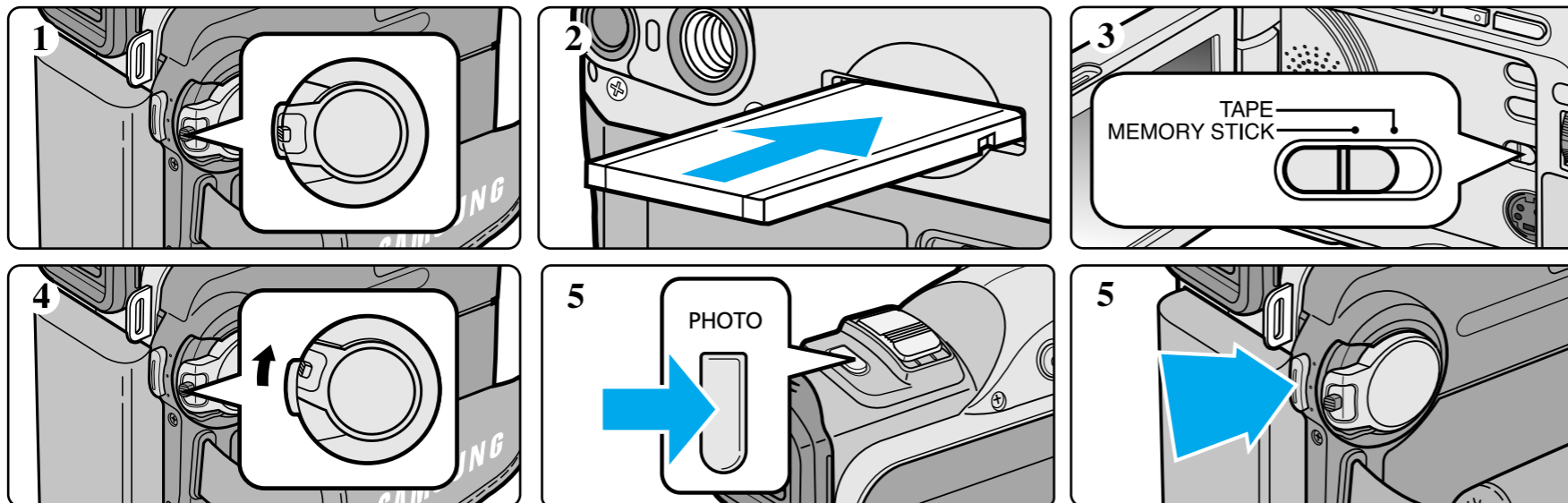
1. Connect a Power source to the camcorder.
2. Remove the LENS COVER.
3. Set the mode switch to the TAPE position.
4. Set the power switch to the CAMERA position.
5. To start recording, press the START/STOP button.

TAPE PLAYBACK



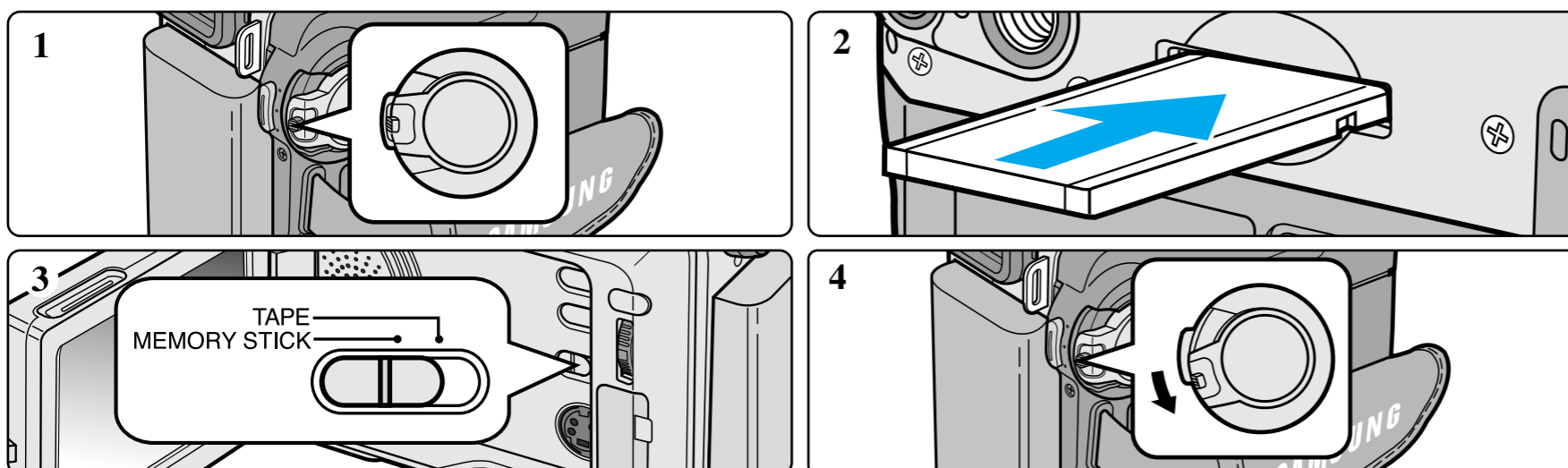
1. Connect the camcorder to a TV with the AUDIO/VIDEO cable.
 - The yellow plug : Video
 - The white plug : Audio(L) - Mono
 - The red plug : Audio(R)
2. Set the mode switch to the TAPE position.
3. Set the power switch on the camcorder to PLAYER mode.
4. Using the ▶▶ (FF) and ◀◀ (REW) buttons, find the first position you wish to play back. Press the ▶/|| (PLAY/STILL) button.

DSC (Digital Still Camera) Recording



1. Turn the Power switch to OFF.
2. Insert the Memory Stick into the Memory Stick slot located on the bottom of the camcorder, in the direction of the arrow.
3. Set the mode switch to MEMORY STICK.
4. Set the power switch to the CAMERA mode.
5. ■ Still Image : ① Press the PHOTO button lightly (about halfway down), when the image you want to record appears.
 - If you do not wish to record, release the PHOTO button, select the image again.
 - ② Press the PHOTO button fully down to record a picture to the Memory Stick.
- MJPEG : ① Press START/STOP button to start recording. (up to 60 seconds)

DSC PLAYBACK



1. Turn the Power switch to OFF.
2. Insert the Memory Stick into the Memory Stick slot located beneath the camcorder, in the direction of the arrow.
3. Set the mode switch to MEMORY STICK.
4. Set the power switch to the PLAYER mode.
5. Using the ▶▶ (FWD) and ◀◀ (REV) buttons, search for the desired still images/moving pictures.
 - Moving picture : Pressing ▶/|| (PLAY/STILL) plays back the moving picture and will show the first scene as a still image when playback ends.